

# Multi-spectral PTZ Camera

## PC6S4



### Product Feature

- Clearer imaging with the latest 12 $\mu$ m uncooled infrared detector and leading infrared image algorithm.
- Visual and thermal dual-spectral and 1.3MP high-definition imaging to satisfy 24/7 security monitoring.
- Support 25~225mm continuous zoom infrared lens to satisfy long-distance detection.
- Support intelligent behavior analysis, such as tripwire detection and region intrusion detection.
- Support intelligent smoke and fire detection and infrared video analysis to meet the requirement of forest fire prevention and intelligent firefighting.
- Integrated with high-speed and high-accuracy Pan/Tilt, encapsulation rating IP66.
- Support ONVIF standard protocols, provide SDK, matched NVR and software.

## Product Specifications

| Technical Index |                        | Multi-spectral PTZ Camera  |
|-----------------|------------------------|--|
| Thermal         | Sensor Type            | VOx uncooled FPA detector  |
|                 | Spectral Range         | 8~14μm   |
|                 | NETD                   | ≤40mK(@25°C,F#1.0,25Hz)  |
|                 | Max. Resolution        | 1280×1024  |
|                 | Pixel Pitch            | 12μm   |
|                 | Focal Length           | 25~225mm   |
|                 | Focus Mode             | Auto/Manual/One-shot Auto  |
|                 | FOV                    | 34.2°×27.6°~3.9°×3.1°  |
|                 | F#                     | F1.09~F1.5   |
|                 | Spatial Resolution     | 0.053~0.480mrad  |
|                 | Color Palettes         | 20 kinds selectable such as Blackhot/Whitehot/Rainbow,etc.                 |
| Visible         | Image sensor           | 1/1.8inch 4MP CMOS   |
|                 | Max. Resolution        | 2688×1520  |
|                 | Focal Length           | 15~775mm   |
|                 | Focus Mode             | Auto / Manual / One-shot auto  |
|                 | FOV                    | 29.1°×16.7°~0.5°×0.3°  |
|                 | WDR                    | Support  |
|                 | Day /Night             | Manual/Auto  |
|                 | Defog                  | Support optical defog  |
| PTZ             | Pan Range              | 360° continuous  |
|                 | Pan Speed              | 0.01°~120°/s   |
|                 | Tilt Range             | -90°~+90°  |
|                 | Tilt Speed             | 0.01°~60°/s  |
|                 | Scan Mode              | Preset/Tour/Patrol Scan/Linear Scan/Pattern Scan                           |
| Network         | Protocols              | TCP/IP,UDP,ICMP,HTTP,HTTPS,FTP,DHCP,DNS,RTP,RTSP,RTCP, IGMP,SMTP, NTP, QoS |
|                 | Interoperability       | ONVIF/SDK  |
|                 | Simultaneous live view | Up to 20 channels  |
|                 | User Management        | Up to 20 users, 2 levels: Administrator and User                           |
|                 | Browser                | Supports IE, Edge, Google Chrome, Mozilla Firefox, and other browsers      |
| Video           | Max. Resolution        | 2688×1520(visible), 1280×1024 (thermal)                                    |
|                 | Image Encoding Format  | JPEG   |

| Technical Index  |                         | Multi-spectral PTZ Camera  |
|------------------|-------------------------|--|
|                  | Audio Compression       | G.711A/G.711Mu/PCM/AAC/MPEG2-Layer2  |
|                  | Video Compression       | H.264/H.265/MJPEG  |
|                  | Main Stream             | Visible:<br>50Hz:25fps(2688×1520,1920×1080,1280×720)<br>60Hz:30fps(2688×1520,1920×1080,1280×720)<br>Thermal:<br>50Hz:25fps(1280×1024,1280×720,1024×768)  |
|                  | Sub Stream              | Visible:<br>50Hz:25fps(1920×1080,1280×720,704×576,352×288)<br>60Hz:30fps(1920×1080,1280×720,704×480,352×240)<br>Thermal::<br>50Hz:25fps(640×512,384×288) |
| Smart Function   | Fire Detection          | Support  |
|                  | Zoom Linkage            | Support  |
|                  | Smart Record            | Alarm trigger recording, disconnection trigger recording (continue transmission after connection)  |
|                  | Smart Alarm             | Support alarm trigger of network disconnection, IP address conflict, SD card full, SD card error, illegal access, abnormal detection                     |
|                  | Smart Detecting         | Support smart video analysis such as tripwire, cross-border, and region intrusion  |
|                  | Alarm Linkage           | Recording/Snapshot/E-mail/PTZ linkage/Alarm output   |
| System Interface | Power Supply            | DC 48V±15%   |
|                  | Communication Interface | RJ45 self-adaptive 10M / 100M Ethernet port  |
|                  | Audio Interface         | 1 channel input, 1 channel output  |
|                  | Alarm Interface         | 7-channel input, 2-channel output  |
|                  | Storage Interface       | Support Micro SD card (Max. 256G)  |
|                  | Control Interface       | 1-channel RS485  |
| General          | Operating Conditions    | -40℃~+70℃; <90%RH  |
|                  | Protection Grade        | IP66, TVS 6000V Lightning Protection, Surge Protection and Voltage Transient Protection  |
|                  | Power Consumption       | Max.200W   |
|                  | Dimension               | 598mm×738mm×468mm(W×H×L)   |
|                  | Weight                  | 74KG   |

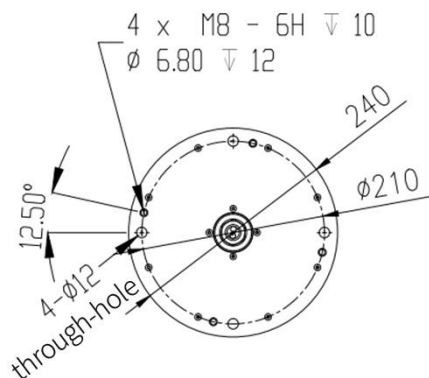
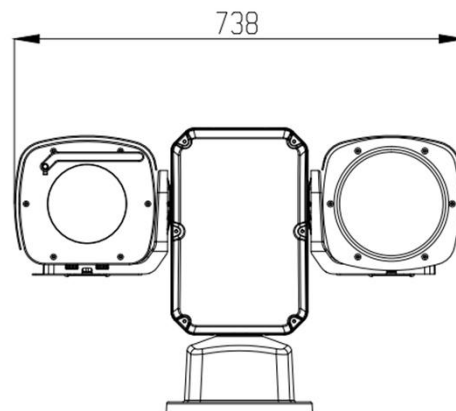
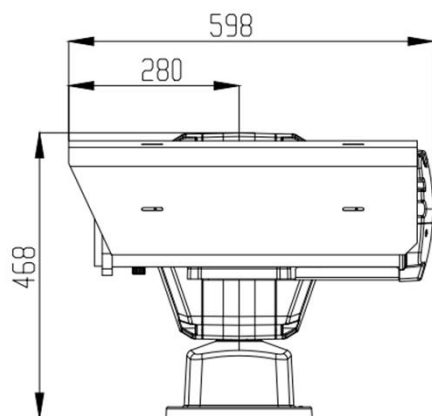
## Effective Range

The recommended distance of detection, recognition and identification for human (1.8×0.5m) and vehicle (1.4×4.0m) are as follows:

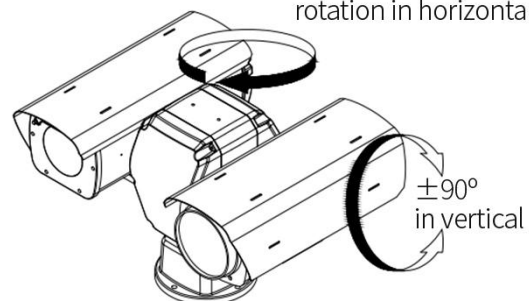
- DD stands for Detection Distance;
- RD stands for Recognition Distance;
- ID stands for Identification Distance;

| Lens  | DD (Vehicle) | DD (Man) | RD (Vehicle) | RD (Man) | ID (Vehicle) | ID (Man) |
|-------|--------------|----------|--------------|----------|--------------|----------|
| 225mm | 28.8km       | 9.4km    | 7.2km        | 2.3km    | 3.6km        | 1.2km    |

## Structural Drawings



360° continuous rotation in horizontal



470mm: PTZ turning radius is about 470mm

This datasheet is subject to change without prior notice. Please contact us to get the latest datasheet.